

Security Screen Door Hardware



Whitco[®]
SECURING YOUR HOME™

10YEAR MECHANICAL WARRANTY

whitco.com.au

Leichhardt Sliding Security Screen Door Lock

Application/Description

Single & Multi point mortice sliding security door lock

Features and Specifications

- Suits either Left or Right hand closing sliding doors
- Parrot beak deadlock
- Key deadlock from both sides
- Self latching
- Inside snib
- Key overrides snib operation
- Accepts Whitco Euro profile lazy cam cylinder locks
- Can only be key locked or snibbed when fully latched with striker
- Optional Multi Point kits available for 2 and 3 point applications
- Zinc diecast furniture and locking mechanism
- Steel zinc plated cover plate

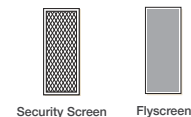
Available in Display and Trade Packs.

Keying

- Use with Whitco Euro profile lazy cam cylinder locks
- 2 x 5 pin cylinder lock
- 2 x 10 disc cylinder lock



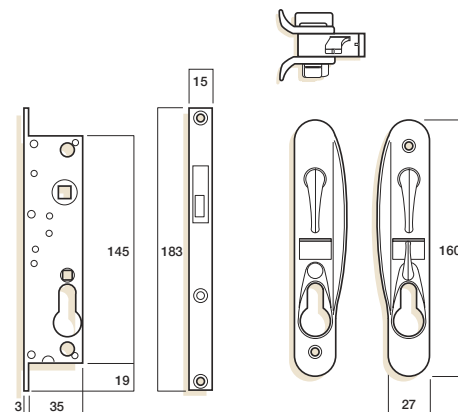
✓ Aluminium



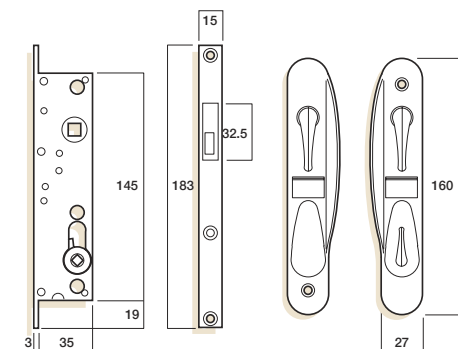
Ordering

Display Pack	
Standard striker, furniture no cylinder centre lock, screws	W8679••
Trade Pack - Standard	
Centre lock furniture, Standard parrot beak bolt and strike, inside snib, no cylinder – Single point lock Mechanism, suits standard 20 mm doors	W866717
Furniture with extended lever and snib – Single point lock mechanism, suits 30 mm door thickness	W8669••
Furniture, standard Parrot beak bolt & strike, inside snib, no cylinder – to suit multi point kits	W8653••
Furniture, snib inside only - mechanism, Standard strike, No cylinder (right hand)	W866417
(left hand)	W866517
Dummy Pull set – Internal and external pull	W866617

•• Denotes finish. See price list for available pack / finish combinations



Cylinder locking



Snib locking

Leichhardt Sliding Security Screen Door Lock



Accessories

Standard centre lock keeper

Zinc diecast, Zinc plated W868101

Wideline Keeper

Suits Wideline section / Zinc diecast, Zinc plated W866801

Multi point kit - 3 point

3 point lock kit including rods, two auxiliary locks, keeper & screws, suits door height up to 2040 mm

Above centre line kit W867117

Below centre line kit W867217

Multi point kit - 2 point

2 point lock kit including rod, auxiliary lock,

Keeper and screws, 1 mm W867317

Suitable for doors accessing pool area. Where centre lock is at least 1,500 mm above Floor

Standard Finishes

Brown 13	DP	TP
White 16	DP	TP
Black 17	DP	TP
Primrose 19		TP
Magnolia 24		TP

Non Standard Finishes

Other polyester powder coat finishes available on application.

•• Denotes finish. See price list for available pack / finish combinations

Tasman MK2 Security Door Lock

Application/Description

Single or Multi point hinged security or screen door lock.

Features and Specifications

- Contemporary styled furniture
- Non handed furniture - suits left-hand and right-hand doors
- Serrated locking bolt provides extra grip against forced entry
- 3 point kits for additional security available
- Fits industry standard cut outs
- Retrofits previous Whitco Tasman lock
- Zinc diecast lock mechanism and furniture
- Easy installation
- Suits either left or right hand opening hinged security and screen doors
- Mortice lock with inside snib
- Key overrides snib
- Automatic latching
- Accepts Whitco Euro profile lazy cam cylinder
- Suit standard 20 mm door thickness
- Stainless steel strikes

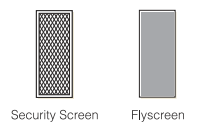
Available in Trade Pack only.



Keying

- Use with Whitco Euro profile lazy cam cylinder locks
- 2 x 5 pin cylinder
- 2 x 10 disc cylinder

Aluminium Steel

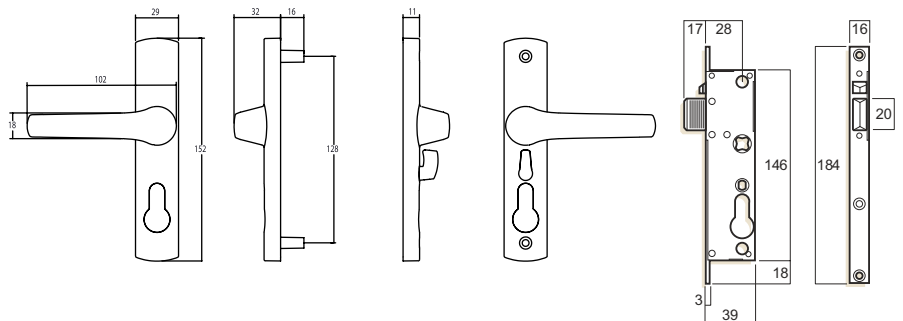


Standard Finishes

Black 17 TP

Non Standard Finishes

Not available in other finishes.



Tasman MK3 Security Door Lock

Application / Description

Single or Multi point hinged security or screen door lock.

Features and Specifications

DUALSELECT

- DualSelect offers safety and security for all occupants by giving a choice of selecting privacy-lock or deadlock when exiting the home. Turning the key to the first selection engages the privacy-lock, which offers security from the outside whilst allowing occupants inside to safely exit using the internal privacy snib. The second selection engages the deadlock, which provides security, but requires the key to unlock the door from inside and outside
- Internal padlock symbol denotes door is in deadlock mode
- Contemporary styled furniture with pre-assembled handles and snib
- Patented anti-jimmy extra wide serrated locking bolt

S7 SECURITY

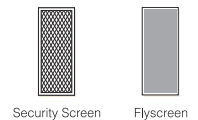
D8 DURABILITY

- High performance lock meets or exceeds relevant requirements of Australian Standard AS 4145.2-2008 to Level S7 and D8
- Successfully tested on security screen doors in accordance with Australian Standard AS 5039-2003: Security Screen Doors and Security Window Grilles and AS 5041-2003: Methods of test
- Patentable features for centre and auxiliary locks
- Fits industry standard cut outs
- Retrofits previous Whitco Tasman lock
- Zinc diecast lock mechanism and furniture
- Easy installation
- Suits either left or right hand opening hinged security and screen doors
- Mortice lock with inside snib
- Key overrides snib
- Automatic latching
- Accepts Whitco Euro profile lazy cam cylinder
- Suit standard 20 mm door thickness
- Stainless steel strikes

Available in Display and Trade Pack.

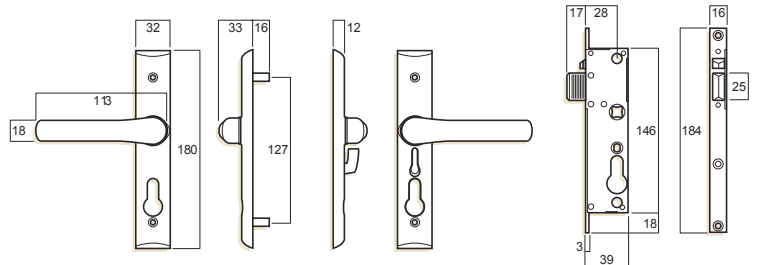


Aluminium Steel



Keying

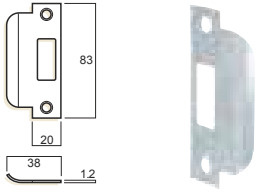
- Use with Whitco Euro profile lazy cam cylinder locks
- 2 x 5 pin cylinder
- 2 x 10 disc cylinder



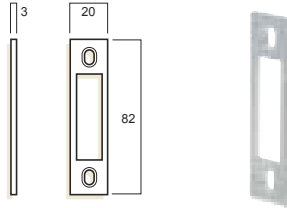
Tasman MK3 Security Door Lock

Accessories

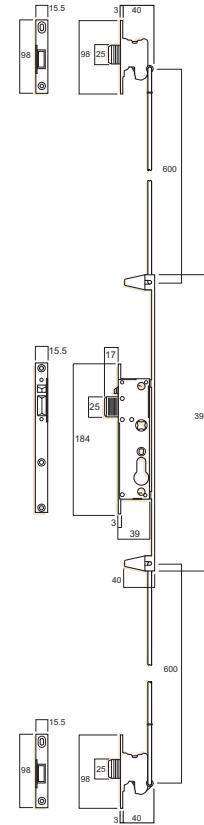
Standard (Stainless steel)
W804000



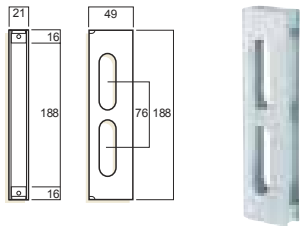
Strike Packer (Zinc diecast)
W844100



Std Multi Point Kit
W803117



Lock cage
W841100



Ordering

Trade Pack

Tasman Mk3 Hinged Security Door Lock No Cylinder	W801213
Tasman Mk3 Hinged Security Door Lock No Cylinder	W801216
Tasman Mk3 Hinged Security Door Lock No Cylinder	W801217
Tasman Mk3 Hinged Security Door Lock No Cylinder	W801219
Tasman Mk3 Std Multi Point Kit, Black	W803317

Ordering

Display Pack

MK3 Tasman Brown	W801113
MK3 Tasman White	W801116
MK3 Tasman Black	W801117
MK3 Tasman Primrose	W801119

Both Trade & Display packs come complete with includes Standard Strike, Standard Furniture, Cylinder, Spindle, Fixing Screws and Screw Hole Plugs.



Cylinder – Euro Profile Lazy Cam

Application / Description

Cylinder to suit Whitco Leichhardt, Tasman and Tasman Escape security screen door locks.

Features and Specifications

- Available in Bright Chrome
- Double cylinder, C4 key profile
- Brass and zinc diecast construction
- Made to Whitco specifications

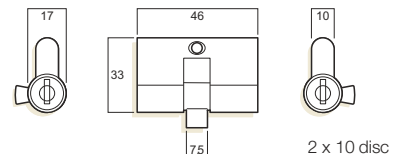
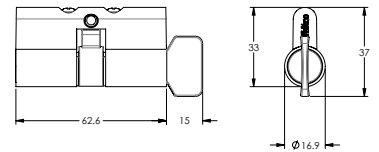
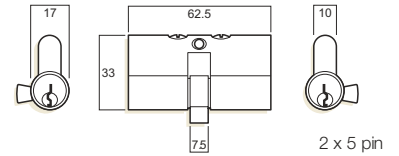
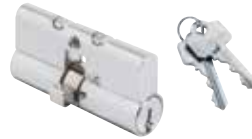
Available in Display and Trade Packs.

Keying

Two Whitco chrome plated brass keys included

Two versions available:

- 2 x 5 pin, C4 key profile cylinder lock, can be keyed alike to other Whitco 5 pin C4 cylinder locks
- 2 x 10 disc, profile cylinder locks



Standard Finishes

Bright Chrome DP TP

Non Standard Finishes

Not available in other finishes.

Ordering

Display Pack Double Cylinder		Turnknob & 5 Pin	
2 x 5 Pin with screw	W840700	Random Keyed with Non-handed Turnknob & 5 Pin	W845900
2 x 10 Disc with screw	W840800	2 Keyed Alike with Non-handed Turnknob & 5 Pin	W845902
Trade Pack 2 x 5 Pin / Double Cylinder			
Random Keyed	W841200	2 x 10 Disc / Double Cylinder	
2 Keyed Alike	W842200	Single Random Keyed	W841400
3 Keyed Alike	W842300	2 Keyed Alike	W843200
4 Keyed Alike	W842400	3 Keyed Alike	W843300
10 Keyed Alike	W842500	4 Keyed Alike	W843400
10 Keyed Alike - Gold Plated	W842502	10 Keyed Alike	W843500
20 Keyed Alike	W842600	20 Keyed Alike	W843600
50 Keyed Alike	W842800		

Use in

Whitco Leichhardt Sliding Security Screen Door Lock

Whitco Tasman Hinged Security Screen Door Lock

Whitco Tasman Escape Hinged Security Screen Door Lock

Whitco[®]

Whitco protects millions of Australian homes and offers the largest range of security and hardware products for residential doors and windows in Australia. With our proud heritage, and by offering a wide variety of locks at affordable prices, Whitco has become one of Australia's most trusted brands.

The Whitco brand is an integral part of ASSA ABLOY Australia Pty Limited, the market leader in the lock and security products industry in Australia.

ASSA ABLOY

ASSA ABLOY is the global leader in door opening solutions, dedicated to satisfying end-user needs for security, safety and convenience.

ASSA ABLOY is represented in all major regions, in both mature and emerging markets, with leading positions in Australia, Europe and North America.

As the world's leading lock group, ASSA ABLOY offers a more complete product range of door opening solutions than any other company in the market.

Australia
1300 LOCK UP (1300 562 587)
whitco.com.au

New Zealand
Telephone +64 94157111
assaabloy.co.nz

ASSA ABLOY Australia Pty Ltd
235 Huntingdale Road
Oakleigh, Victoria, 3166
Australia

info.au@assaabloy.com
assaabloy.com.au

ASSA ABLOY New Zealand Ltd
6 Armstrong Road
Albany, North Shore City, 0632
New Zealand

info.nz@assaabloy.com
assaabloy.co.nz

An ASSA ABLOY Group brand

Disclaimer
Whilst every effort has been made to ensure that the information contained in this brochure is accurate at the time of publication, ASSA ABLOY Australia Pty Limited ("ASSA ABLOY") recommends that you consult ASSA ABLOY or its agents prior to placing an order to ascertain current information on specific products, as ASSA ABLOY reserves the right to make any changes without notice. ASSA ABLOY will not be liable for any injury, loss or damage whatsoever, arising from any errors or omissions in the information contained in the brochure or arising from the use or application of the information contained herein.